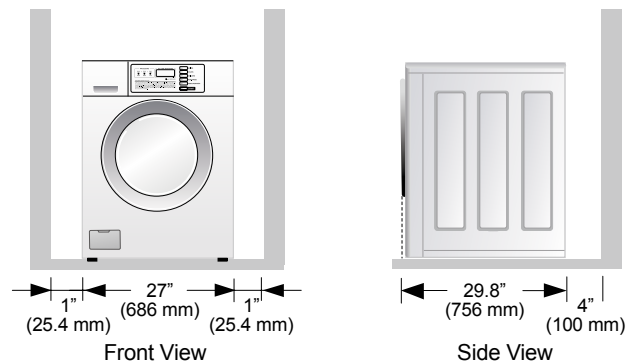
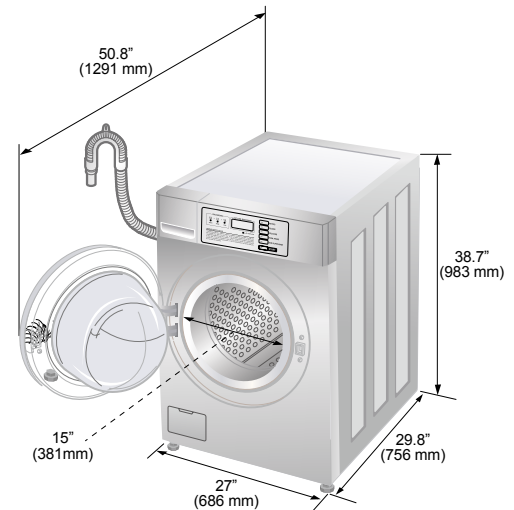


LG High-Efficiency Front-Load Platinum Washer

ON-PREMISE COMMERCIAL WASHER



Platinum Washer GCWP1069		
Cylinder		
Capacity	lbs (kg)	22.5 (10.2)
Cylinder Diameter	inch (mm)	22.1 (560)
Cylinder Depth	inch (mm)	16.5 (419.3)
Cylinder Volume	cu ft (l)	3.6 (102.7)
Dimensions & Weight		
Net Weight	lb (kg)	191 (87)
Crated Weight	lb (kg)	205 (93)
Machine (WxDxH)	inch (mm)	27 x 29.8 x 38.7 (686 x 756 x 983)
Machine w/door opening	inch (mm)	50.8 (1291)
Shipping Dimensions (WxDxH)	inch (mm)	29.7 x 31.3 x 44.4 (755 x 795 x 1127)
Speed		
Washing Speed	rpm	45
Extract (High Speed)	rpm	1150
G-force		413
Water Usage		
Water Consumption	gal	11.2
Noise & Cycle Time		
Noise Level (Sound Power)	dB	Lower than 62
Program Duration (default)	mins	35
System & Control		
Inverter Direct Drive Motor		•
Intelligent Electronics Controls		•
3 Compartment Dispenser		•
Forced Drain System		•
External Finish		
Drum		NeverRust™ Stainless Steel Drum
Top Plate		Porcelain (Single) / Painted Steel (Stack)
Transparent Glass Window Door		•
Colors		Platinum
Cabinet		Painted Steel
Control Panel		Steel
Connections		
Circuit Protection	V/Hz/Ph Amps	120/60/1 15 Amps
HOSE		
Inlet Hose	ft (mm)	4.92 (1500)
Drain Hose	ft (mm)	6.56 (2000)
Modified Energy Factor (MEF)*		
		2.6
Water Consumption Factor (WCF)*		
		3.7



** Modified Energy Factor (MEF) measured in cubic feet per kilowatt-hour per cycle. Water Consumption Factor (WCF) measured in gallons per cycle per cylinder cubic feet. MEF and WCF statistics are according to Department of Energy (DOE) testing standards report by LG Commercial Laundry.

** Product specifications are subject to change without notice. Please contact Continental Girbau for the most current and complete technical specifications, architectural line drawings and warranty information.

