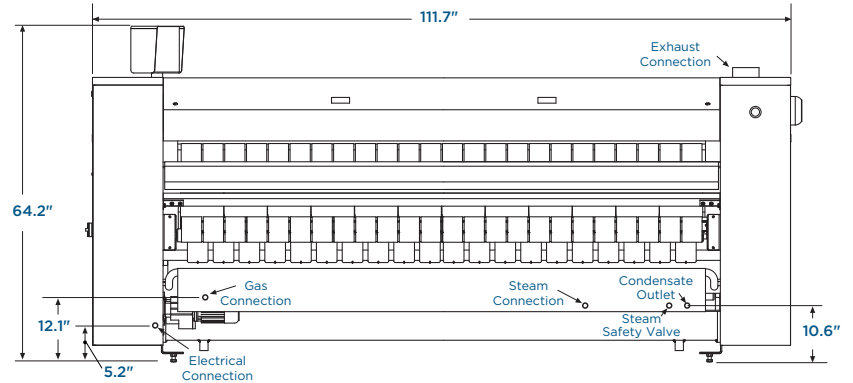


X20075

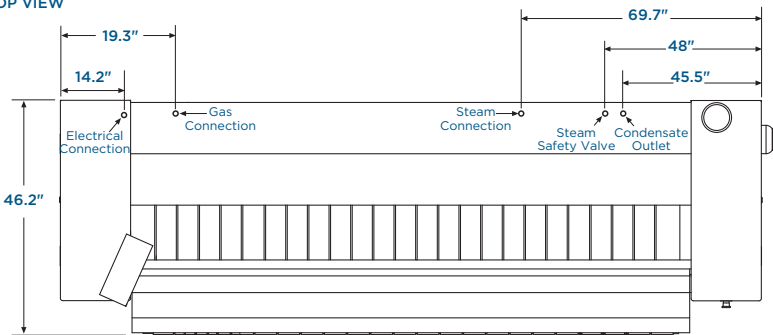
EXPRESS HEATED-ROLL IRONER

PRODUCT SPECS			
Cylinder Diameter	inch		20.1
Usable Cylinder Width	inch		74.8
Evaporation Capability	gal/h		
	Gas/Electric		7.93
	Steam		11.1
Ironing Speed	ft/min		4-49
Net Weight	lbs		
	Gas/Electric	without folder	2282
		with folder	2496
	Steam	without folder	2525
		with folder	2739
Crated Weight	lbs		
	Gas/Electric	without folder	2834
		with folder	3080
	Steam	without folder	3076
		with folder	3323
Machine Width	inch		111.7
Machine Depth	inch		46.2
Machine Height	inch		64.2
Feed Height	inch		40.6
Shipping Dimensions (WxDxH)	inch		
		without folder	117.6 x 45.5 x 71.9
		with folder	117.6 x 50.6 x 71.9
Motor Power	Hp		
	Roller Motor		0.40
	Extraction Motor		0.74
Exhaust Diameter	inch		5.1
Exhaust Air Flow	cfm		
	Gas		564
	Electric/Steam		634
Electric Heating	kW		
	208/60/3		28.34
	240/60/3		37.73
Gas Connection	inch		3/4 NPT
Gas Heating	BTU/h		
	Natural		163,100
	Propane		158,323
Gas Consumption	cfm		
	Natural		2.98
	Propane		7.81
Gas Pressure Operating Manifold	inch wc		
	Natural		7
	Propane		11
Steam Connection	inch		1
Steam Condensate Outlet	inch		3/4
Steam Heating	BTU/h		166,513
Steam Consumption	lbs/h		190
Steam Pressure	PSI		116
Safety Valve Connection	inch		1
Circuit Protection	Amps		
	Gas/Steam	208-240/60/1	10
	Electric	208/60/3	125
		240/60/3	125
Full Load	Amps		
	Gas/Steam	208-240/60/1	6.1
	Electric	208/60/3	85
		240/60/3	97

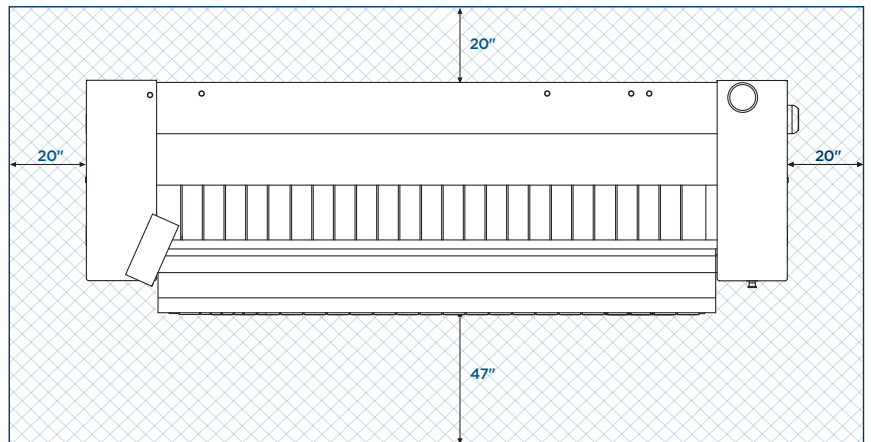
FRONT VIEW



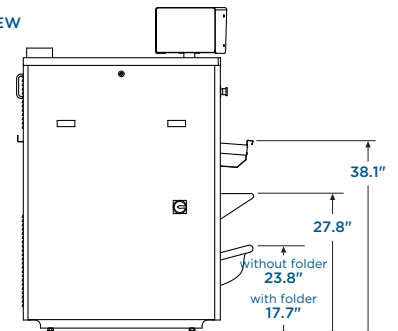
TOP VIEW



AREA NEEDED FOR SERVICE



SIDE VIEW



* Specifications subject to change without notice or obligation. Contact Continental Girbau at (800) 256-1073 for dimensions not shown or for clarification.