

VA



Finishing Equipment



VA - Folding & Stacking Handles a Variety of Sizes

The first and second length fold of the VA are created with reversing belts. After the two lengthfolds, a single crossfold is made in combination with the stacking of the goods onto the conveyor.

With this combination, one or two lengthfolds or a French fold combined with one crossfold plus stacking can be made.

The towel folder and stacker is available in three different models. Options are available to fold inside or outside corners. Towels with lengths up to 2400mm (94 in) can be accommodated.

Two or three stackers are available so that different towels can be sorted automatically to two or three different stackers.

The VA comes standard with a return to operator conveyor. Collecting conveyors are optional.

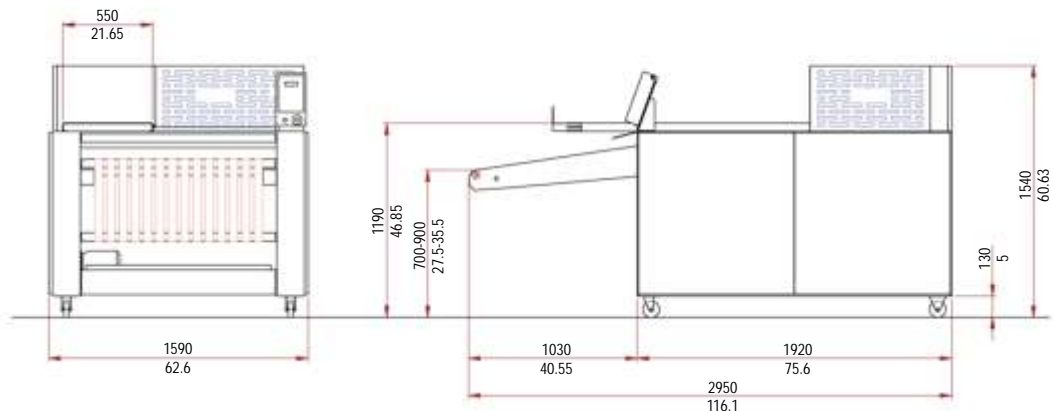
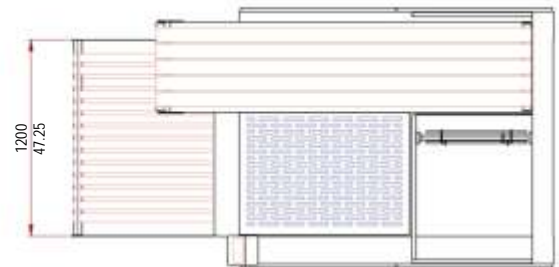


Towel Size	Metric	USA
Width	1000mm	39.4in
Length (standard)	1800mm	70.87in
Length before crossfold	600mm	23.6in

Technical Specifications

Electrical Requirements	208-230V, 3PH	440-460V, 3PH
Circuit Breaker	20A	15A
Pneumatic connections	13mm	1/2in
Pneumatic consumption	5 liters/pc	1.3 gal/pc

Optional
 Stop Conveyor before crossfolding
 Towel length up to 2400mm / 94in
 2 Stackers
 3 Stackers
 Collection conveyor
 Roll-off conveyor for strapping



B&C Technologies 440 West 11 th Street Panama City, Florida 32401

Phone : 850-249-2222 Fax :850-249-2226

Web : www.bandtech.com Email : sales@bandtech.com